

## CHELSEA 480 G LH

Aufbauanleitung | Assembly Instruction

---

## INHALTSVERZEICHNIS | TABLE OF CONTENTS

S. 4	Montagematerial   Hardware Set
S. 6-9	Aufbauanleitung   Assembly Instruction
S. 11	Sicherheitshinweis   Safety Instruction
S. 12-13	Ersatzteile   Spare Parts

### **Achtung**

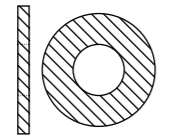
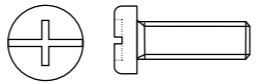
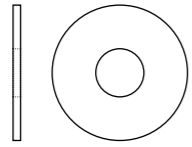
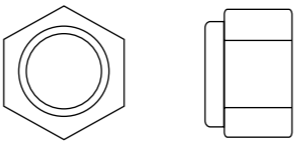
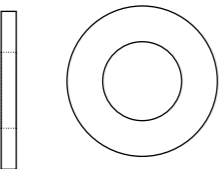
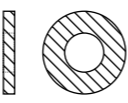
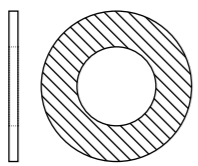
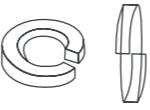
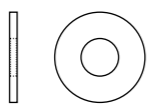
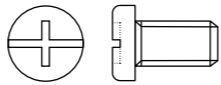
Bitte notieren Sie auf der Rückseite Ihrer Gebrauchsanweisung die Serien-Nummer. Je nach Grillmodell finden Sie die Nummer auf dem Datensticker, welcher sich entweder am Grillgestell oder auf der Bodenplatte befindet. **OUTDOORCHEF** kann Garantie und Ersatzteillieferungen nur mit der Serien-Nummer bearbeiten. Outdoorchef AG operates a policy of continuous product development and improvement. As such we reserve the right to alter product design and or technical specification without giving any prior notice.

### **Attention**

Please write your serial number on the backside of the manual for future reference. You will find the number on the data plate attached to the trolley or the bottom plate depending on the grill model. **OUTDOORCHEF** can only supply spare parts and honour warranty returns when the serial number is available.

Lesen Sie die separate Bedienungsanleitung sorgfältig durch, bevor Sie Ihren **OUTDOORCHEF** Grill in Betrieb nehmen. Please read the separate user manual carefully before using your **OUTDOORCHEF** Barbeque.

18.379.34

2 x	(z)	 18.370.76	17x	(F)	 18.370.03
2 x	(d)	 18.370.63	2 x	(N)	 18.370.47
2 x	(h)	 18.370.67	8 x	(u)	 18.371.27
2 x	(r)	 18.370.73	2 x	(aa)	 18.371.21
17x	(a)	 18.370.60	2 x	(J)	 18.370.04

TO TAKE NOTES:

---

---

---

---

---

---

---

---

---

---

---

---

---

---

---

---

---

---

---

---

---

---

---

---

---

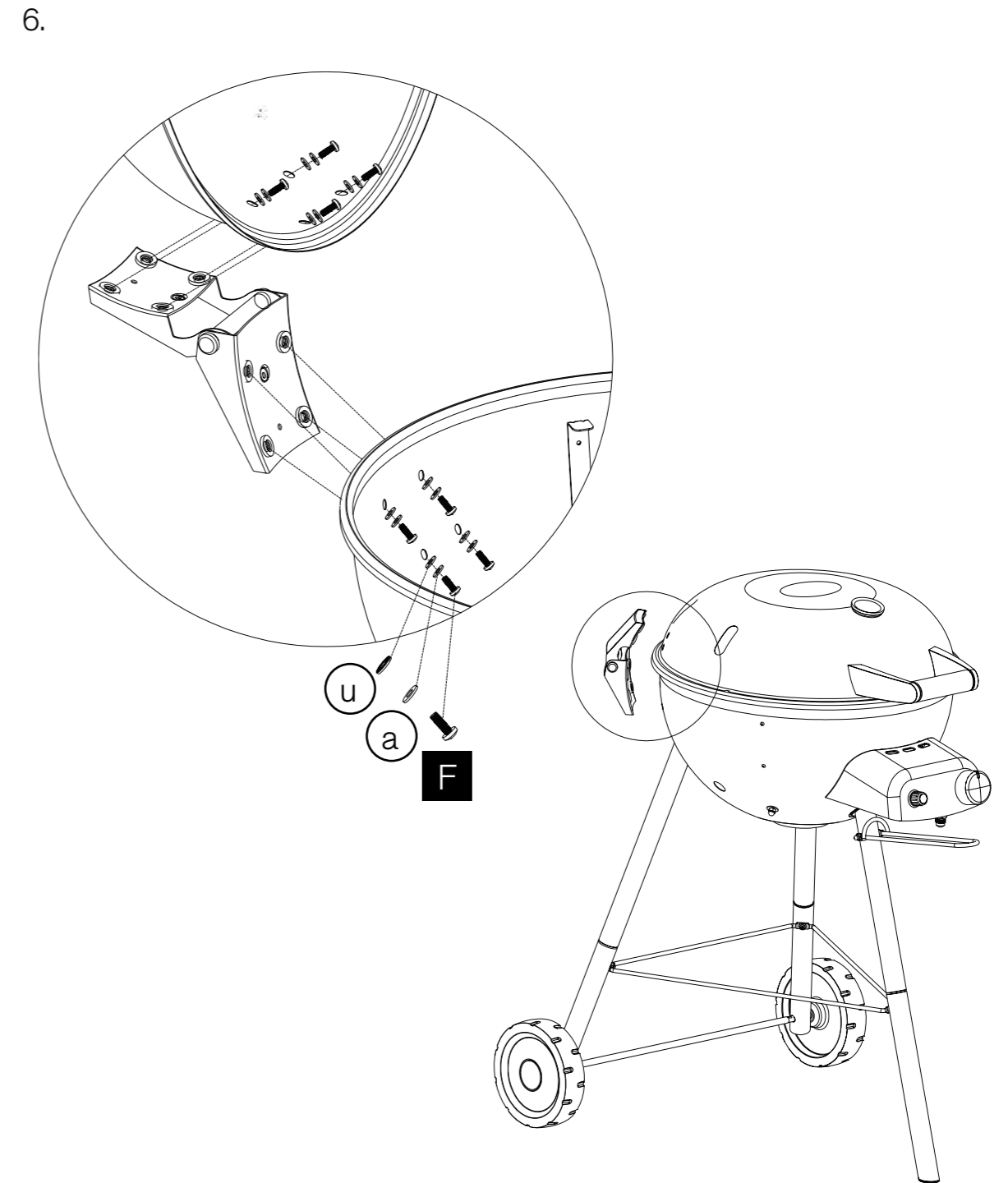
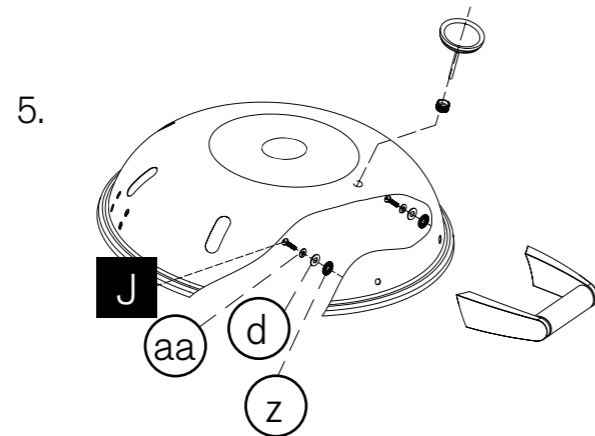
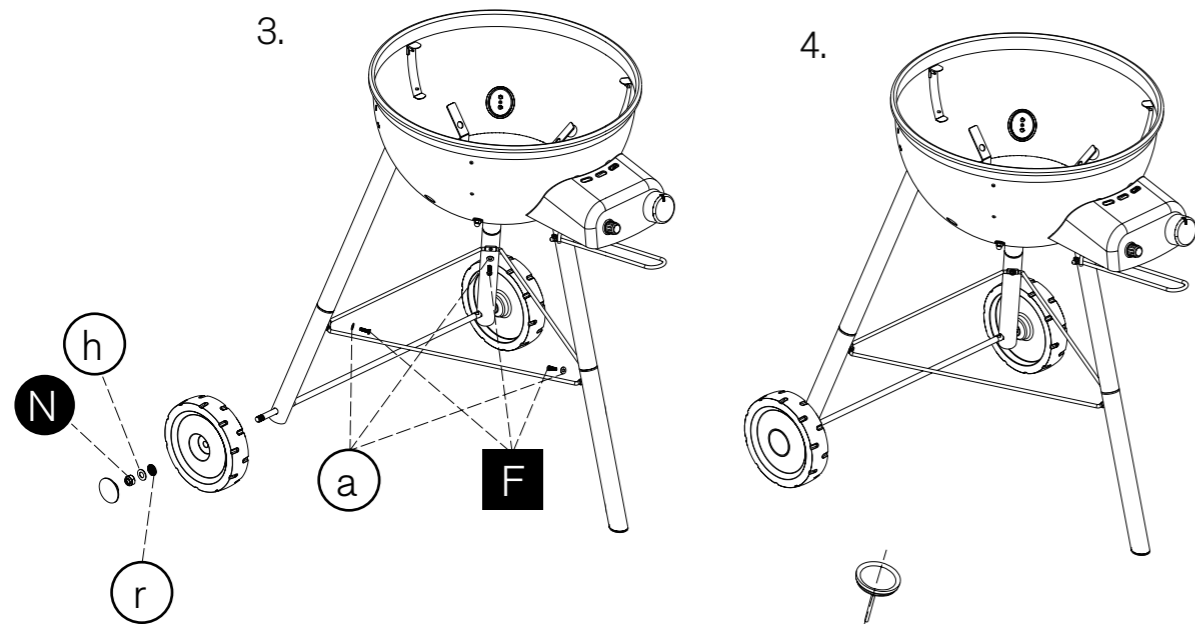
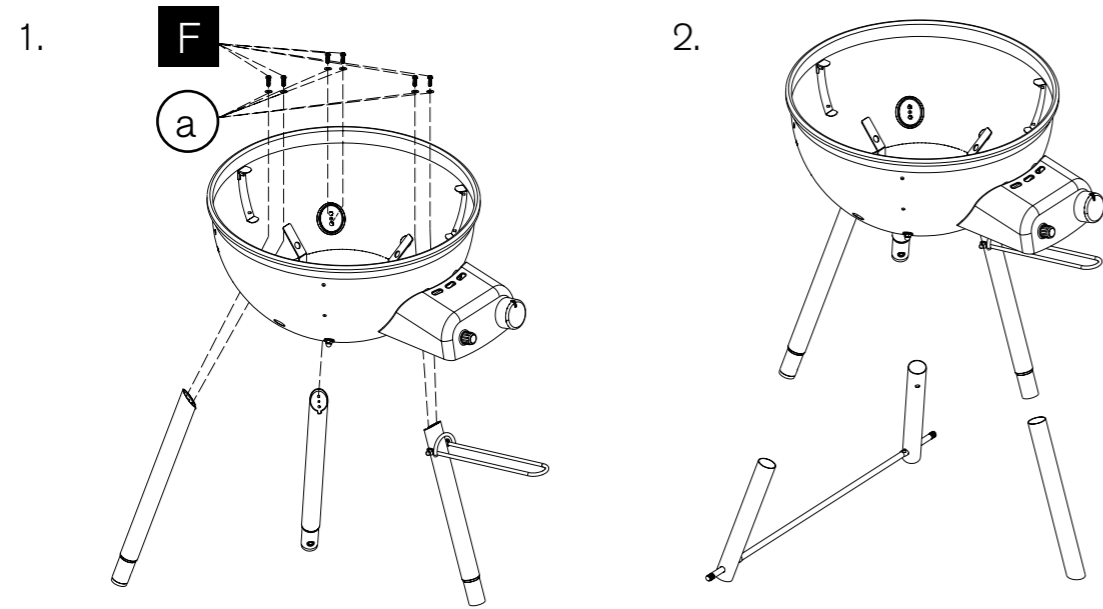
---

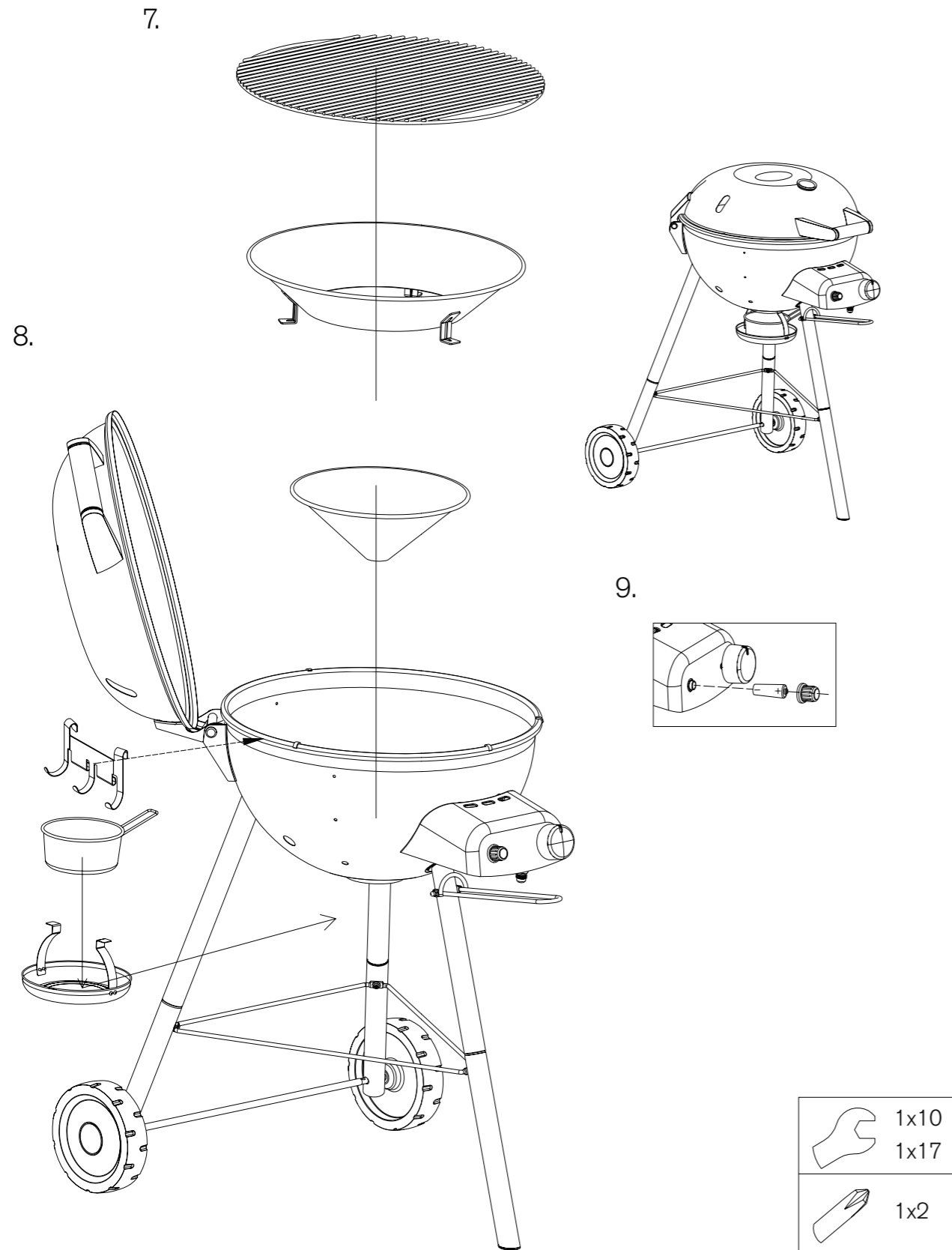
---

---

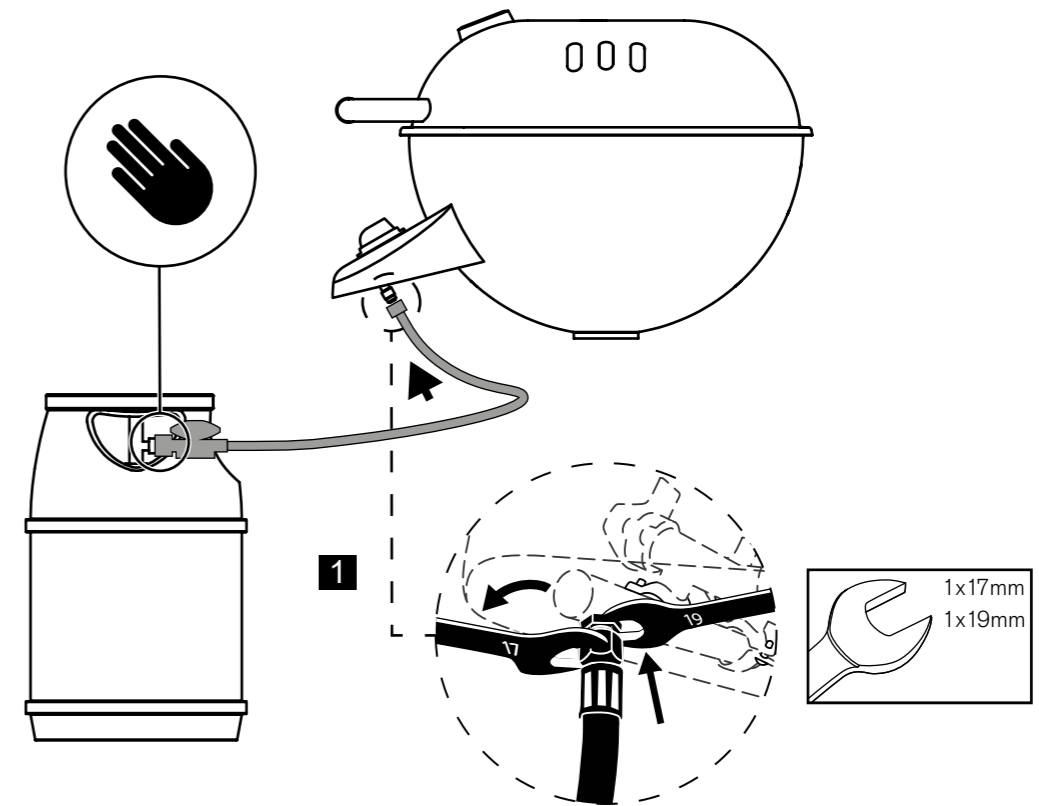
---

---





10.



TO TAKE NOTES:

---

---

---

---

---

---

---

---

---

---

---

---

---

---

---

---

---

---

---

---

---

---

---

---

---

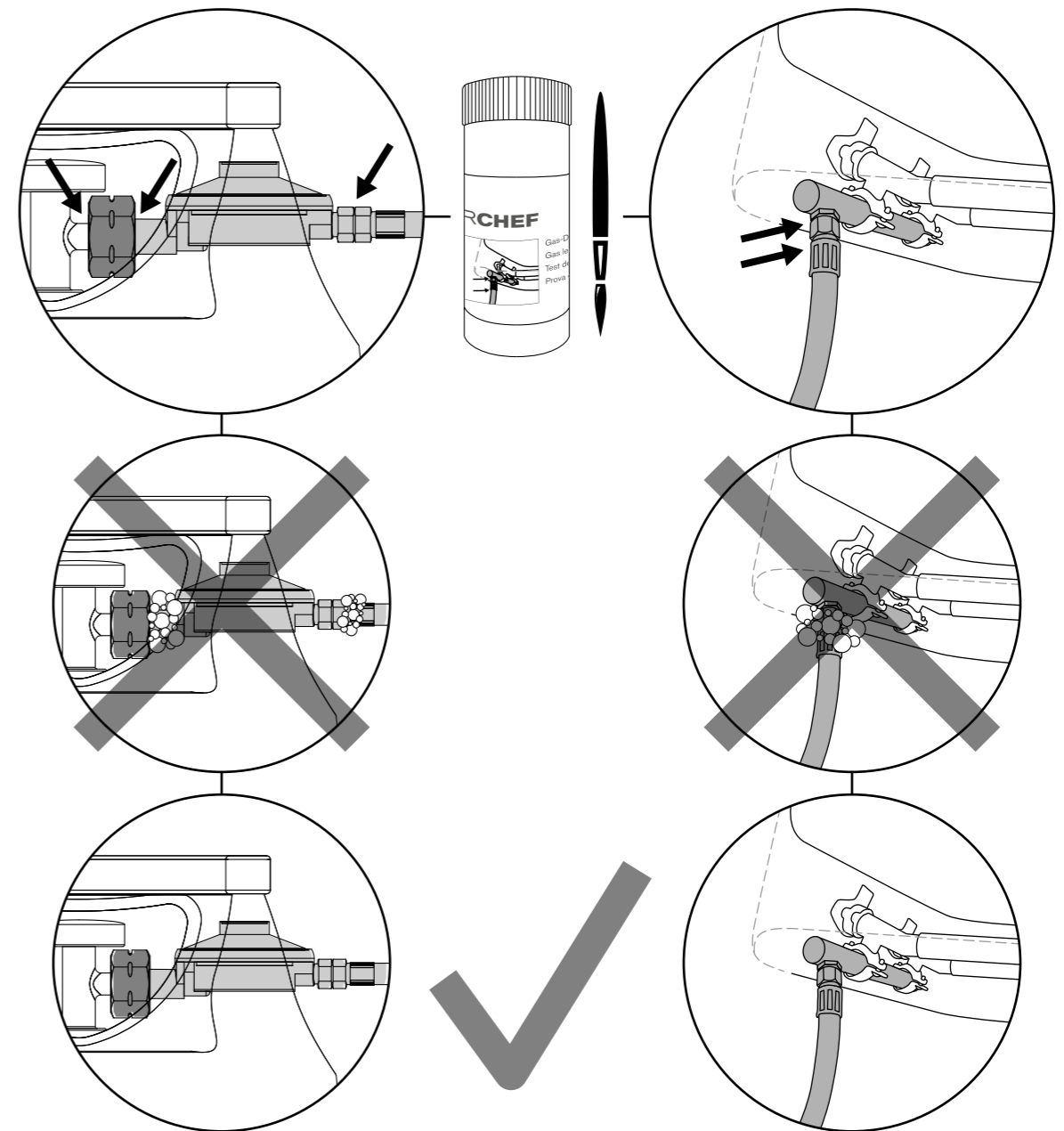
---

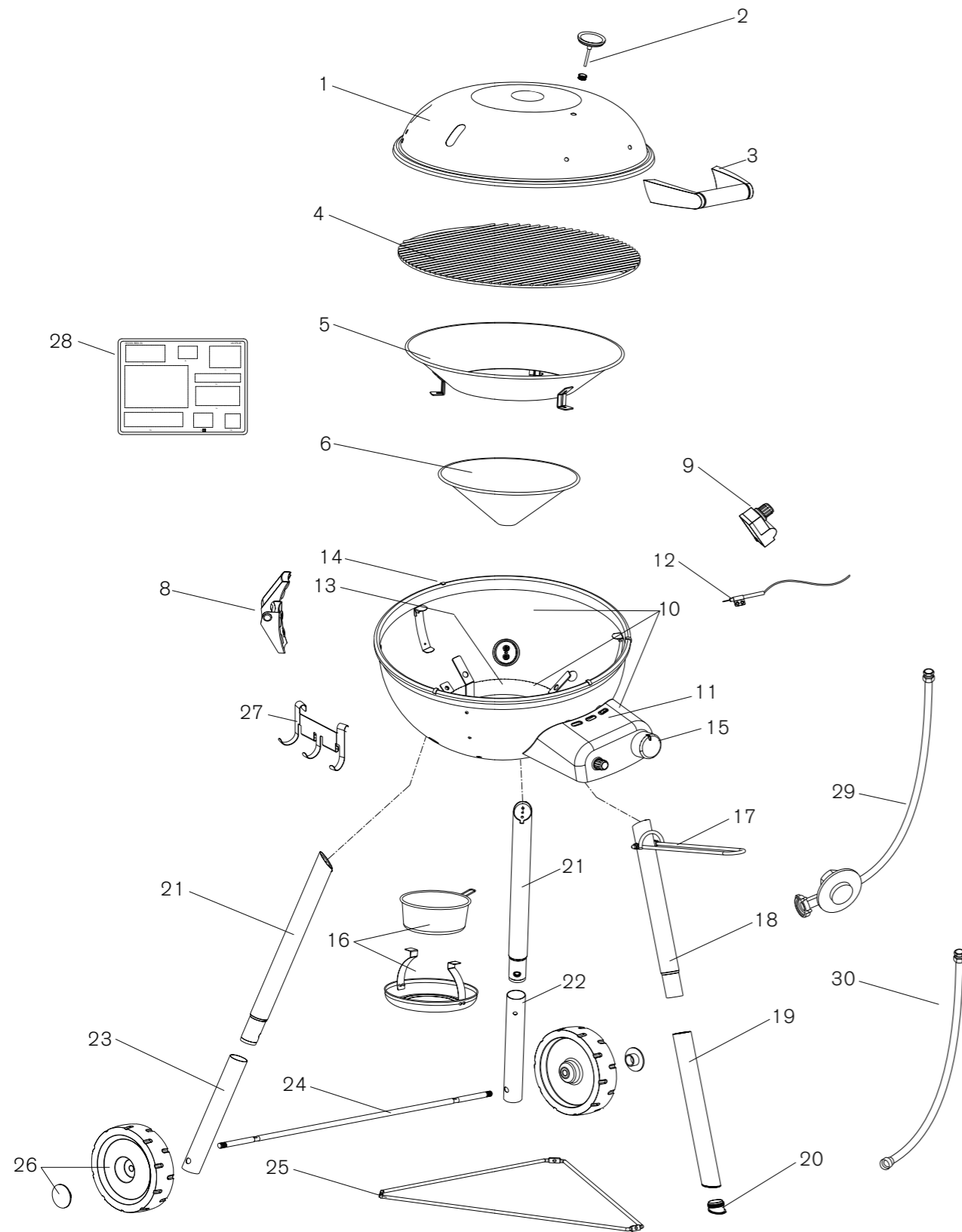
---

---

---

---

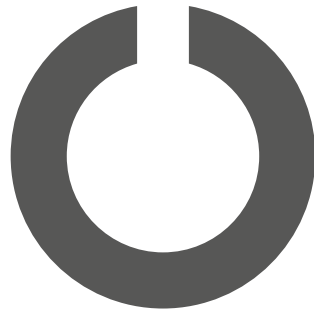




SPAREPARTS			ERSATZTEIL-LISTE
Pos.	Art. Nr.	Description	Beschreibung
1	18.903.51	Lid 480 G 135° single	Deckel 480 G 135° single
2	18.850.30	Heat indicator °C/°F	Temperatur Anzeiger °C/°F
3	18.900.65	Lid handle set	Deckelgriff Set
4	18.420.42	Cooking grid	Grillrost
5	18.320.04	Large Funnel	Grosser Trichter
6	18.320.03	Small Funnel	Kleiner Trichter
8	18.900.59	Lid Hinge set	Deckelscharnier Set
9	18.440.00	Pulse Ignitor	Elektrozündung
10	18.903.98	Bowl complet CHELSEA 480 G LH 50mbar	Kugel komplett CHELSEA 480 G LH 50mbar
10	18.903.99	Bowl complet CHELSEA 480 G LH 30mbar	Kugel komplett CHELSEA 480 G LH 30mbar
11	18.901.50	Control Panel Chelsea 480 G 50mbar	Bedienkonsole Chelsea 480 G 50mbar
11	18.901.51	Control Panel Chelsea 480 G 30mbar	Bedienkonsole Chelsea 480 G 30mbar
12	18.440.02	Electrode incl. wire	Elektrode inkl. Kabel
13	18.440.03	Burner 30mbar	Brenner 30mbar
13	18.440.04	Burner 50mbar	Brenner 50mbar
14	18.900.81	Protection pin set	Schutzstift Set
15	18.450.06	Control knob	Gasregulierknopf
16	18.900.07	Drip pan set	Fettauffanschale Set
17	18.901.52	Carry handle set Chelsea 480	Fahrgriff Set Chelsea 480
18	18.903.43	Leg upper part front umbragrey set	Bein Oberhälfte vorne umbragrau Set
19	18.903.44	Leg lower part front umbragrey set	Bein Unterhälfte vorne umbragrau Set
20	18.450.01	End Cap	Abschlusskappe
21	18.903.45	Legs upper parts rear umbragrey set	Beine Oberhälften hinten umbragrau Set
22	18.903.46	Leg lower part rear right umbragrey set	Bein Unterhälfte hinten rechts umbragrau Set
23	18.903.47	Leg lower part rear left umbragrey set	Bein Unterhälfte hinten links umbragrau Set
24	18.903.48	Axle umbragrey set	Radachse umbragrau Set
25	18.903.49	Stabilisation set	Stabilisation Set
26	18.903.50	Wheel set	Rad set
27	18.420.05	Tool holder	Besteck-Halter
28	18.379.34	Hardware set	Schrauben Set
29	14.911.38	Gas hose & regulator CH	Gasschlauch & Regler CH
29	14.911.40	Gas hose & regulator DE,AT	Gasschlauch & Regler DE,AT
29	14.911.42	Gas hose & regulator DK,FI,IS,NO,PT,SP	Gasschlauch & Regler DK,FI,IS,NO,PT,SP
29	14.911.51	Gas hose & regulator IT,GR	Gasschlauch & Regler IT,GR
29	14.911.47	Gas hose & regulator BG	Gasschlauch & Regler BG
29	14.911.43	Gas hose & regulator GB	Gasschlauch & Regler GB
29	14.911.58	Gas hose & regulator HU	Gasschlauch & Regler HU
29	14.911.56	Gas hose & regulator MT	Gasschlauch & Regler MT
29	14.911.49	Gas hose & regulator PL	Gasschlauch & Regler PL
29	14.911.47	Gas hose & regulator SE	Gasschlauch & Regler SE
29	14.911.53	Gas hose & regulator AL,BA,HR,CZ,IL,LT,MK,MD,RO,RS,SK,SI	Gasschlauch & Regler AL,BA,HR,CZ,IL,LT,MK,MD,RO,RS,SK,SI
30	14.921.25	Gas hose FR	Gasschlauch FR







OUTDOORCHEF.COM



Outdoorchef AG | Eggbühlstrasse 28 | Postfach | 8050 Zürich | Switzerland  
Outdoorchef Benelux B.V. | Databankweg 26 | 3821 AL Amersfoort | The Netherlands  
Outdoorchef Austria GmbH | Handelskai 94-96 / 23rd & 24th Floor Millennium Tower | 1220 Vienna | Austria  
Outdoorchef Deutschland GmbH | Ochsenmattstr. 10 | 79618 Rheinfelden | Germany

CHELSEA 480 G LH | JULI 2023