

REINIGUNG BRENNER | BURNER CLEANING

Anleitung | Instruction

CHEALSEA 420 G

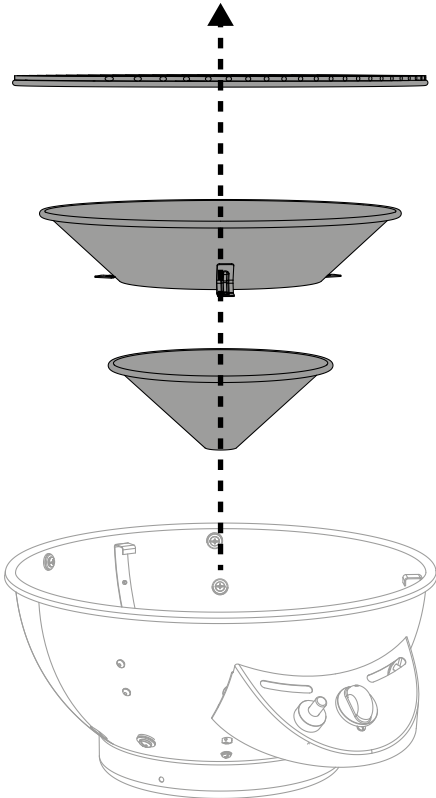
MINICHEF 420 G

CITY 420 G

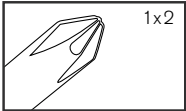
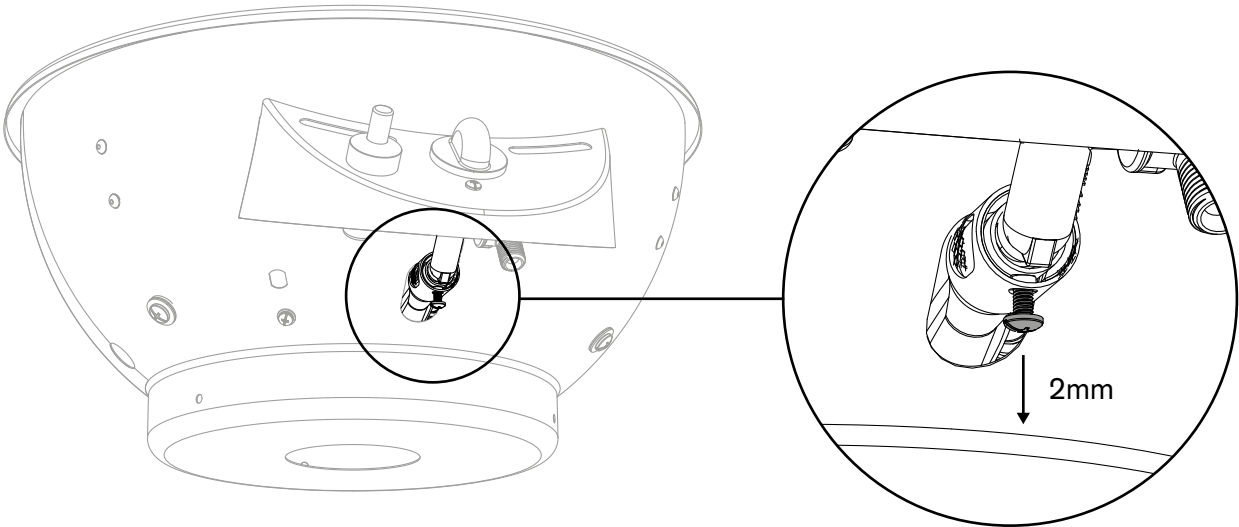


OUTDOORCHEF
SWISS INNOVATION

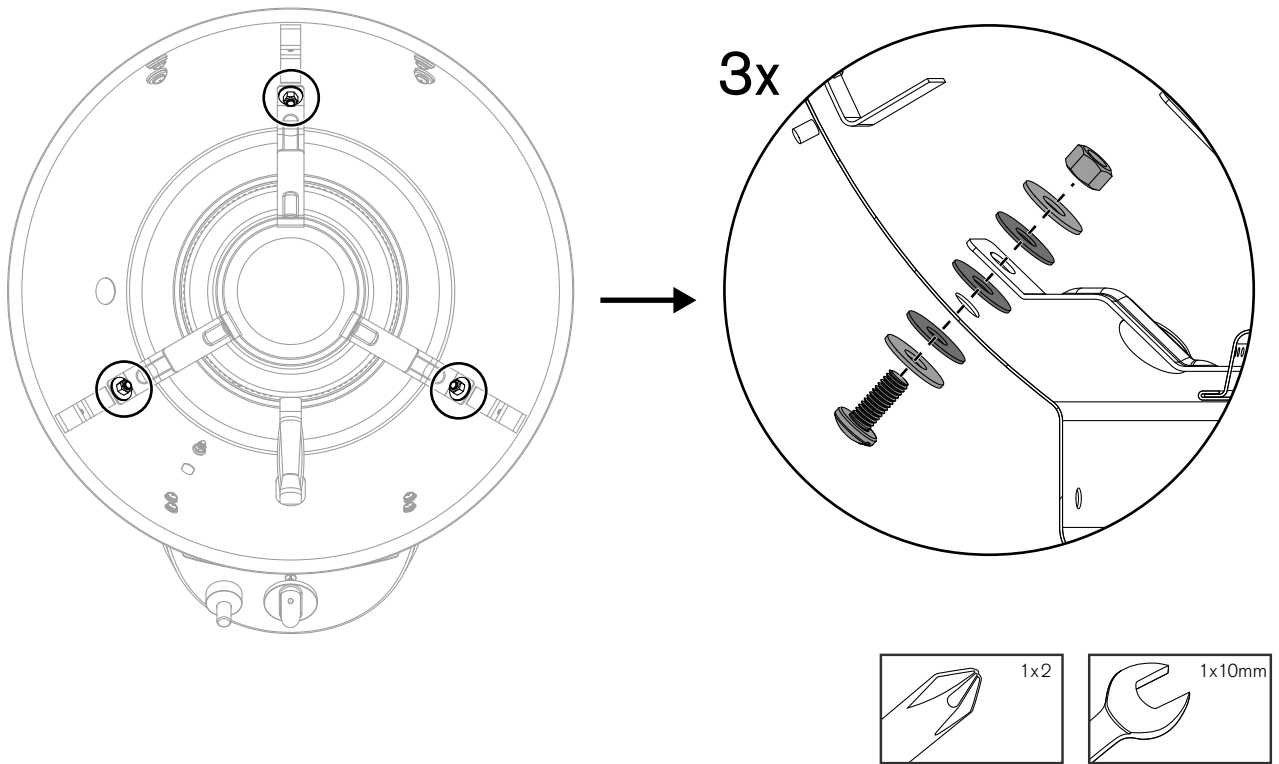
1.



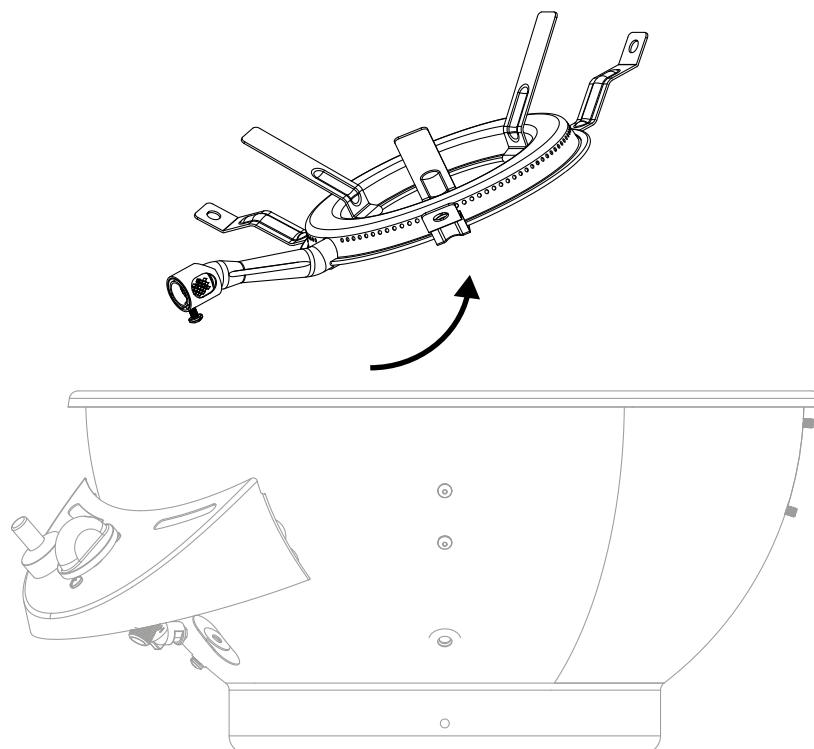
2.



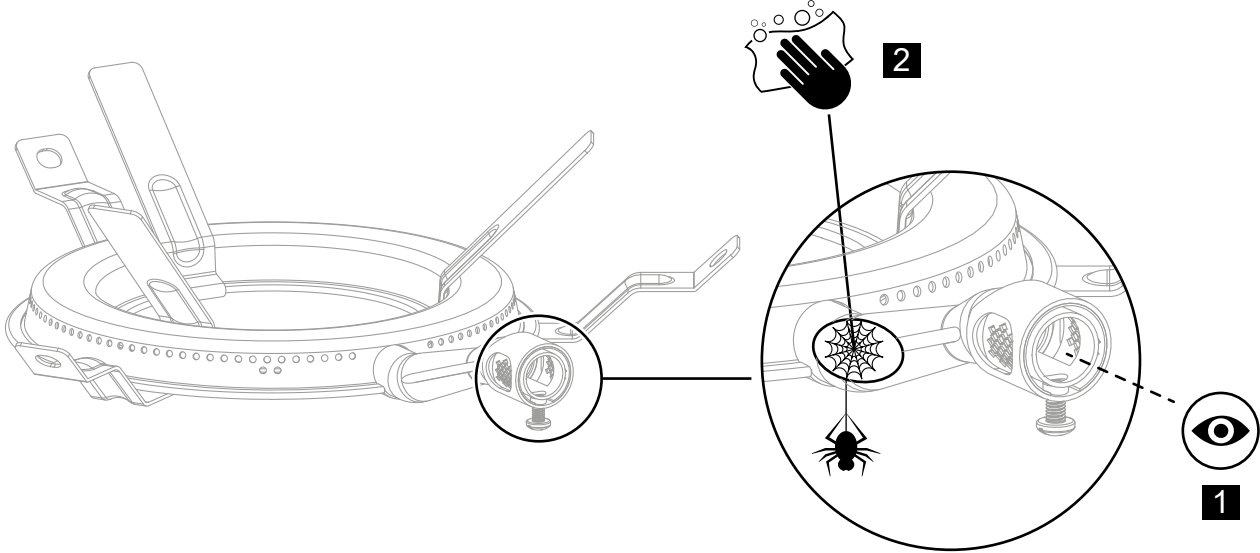
3.



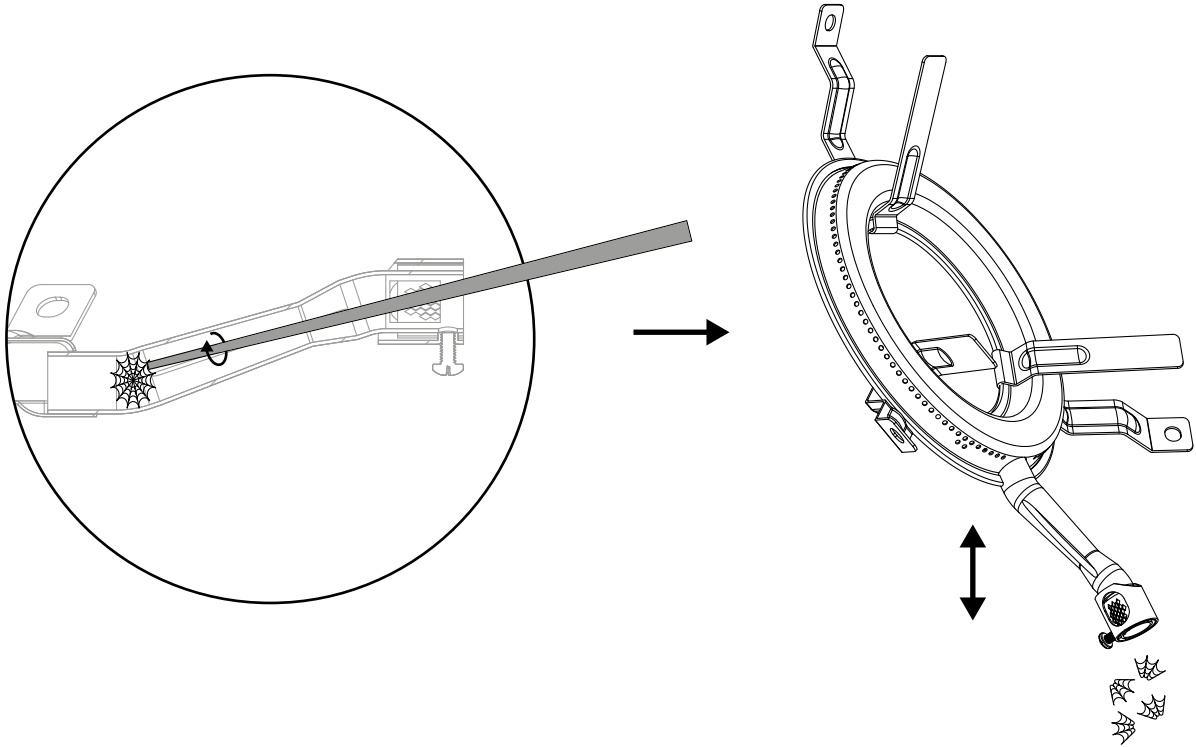
4.



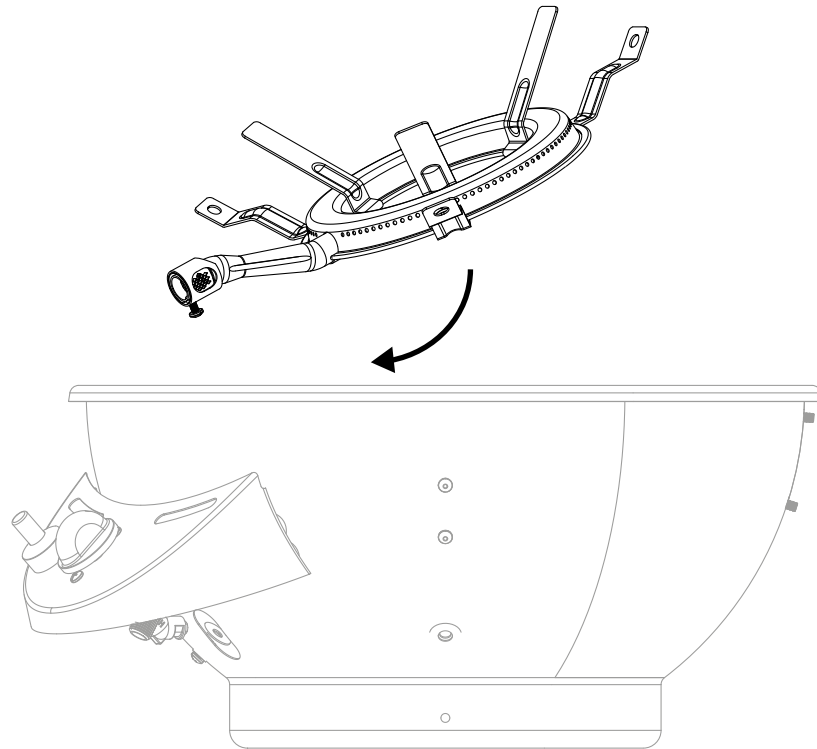
5.



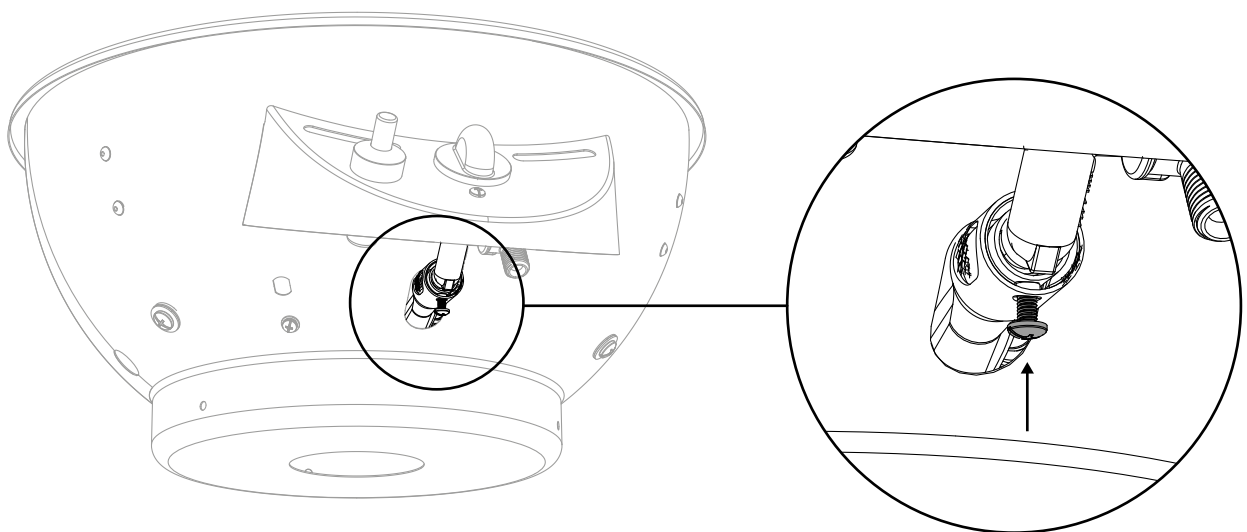
6.



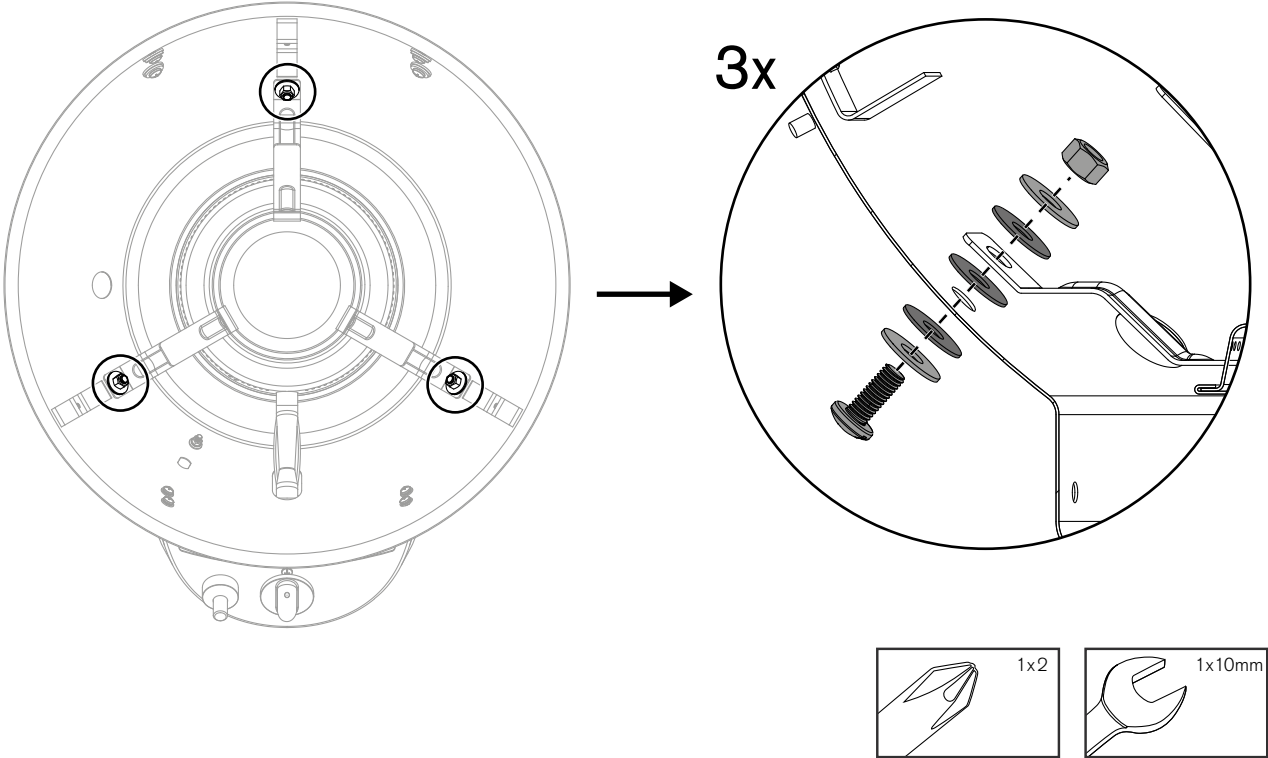
7.



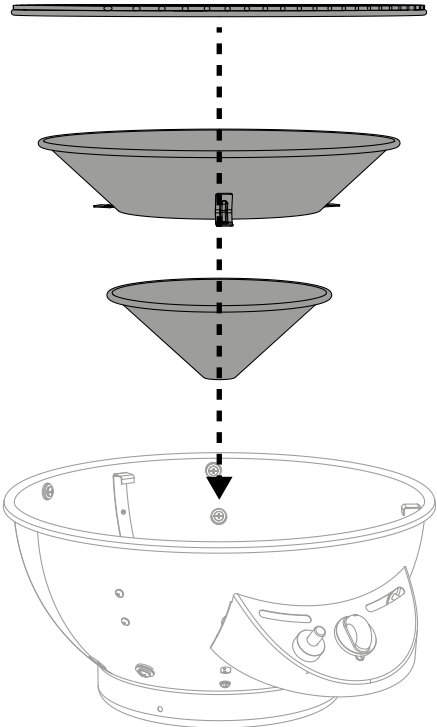
8.



9.



10.





Outdoorchef AG | Eggbühlstrasse 28 | Postfach | 8050 Zürich | Switzerland
Outdoorchef Benelux B.V. | Databankweg 26 | 3821 AL Amersfoort | The Netherlands
Outdoorchef Austria GmbH | Handelskai 94-96 / 23rd & 24th F | 1200 Vienna | Austria
Outdoorchef Deutschland GmbH | Ochsenmattstr. 10 | 79618 Rheinfelden | Germany